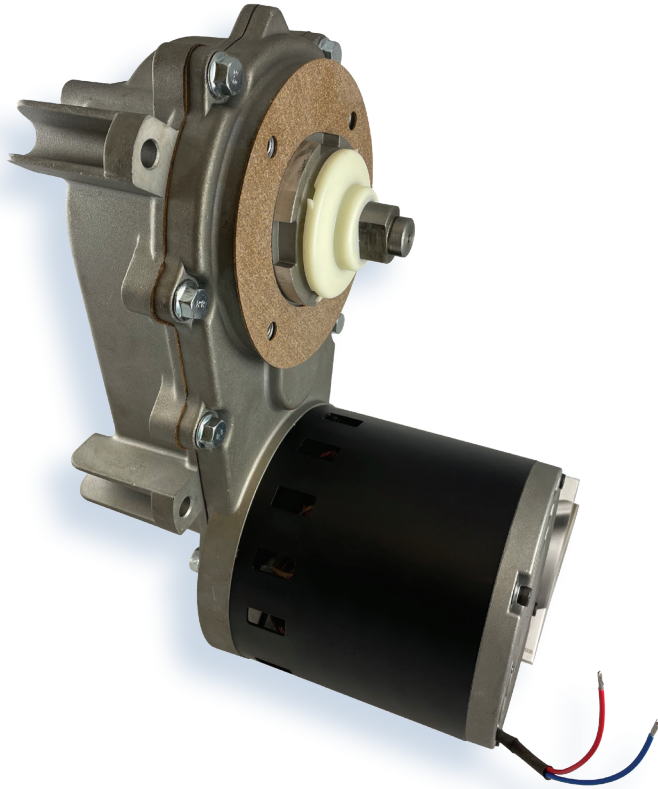


1/4 HP Offset Gear Motor



Benefits



High efficiency



Cost effective



Great for continuous or intermittent applications

Offset or Parallel Shaft gear motors offer high-performance, tremendous value, and mechanical flexibility across a wide range of commercial equipment applications. Our new 1/4 HP offset gear motor design is capable of running between 8 and 75 RPM with a maximum torque output of 2,655 in-lbs (300 N.m).

Applications



- Ice Making Equipment
- Automated Pool Covers



- Frozen Beverage Machines
- Smart Agriculture Equipment



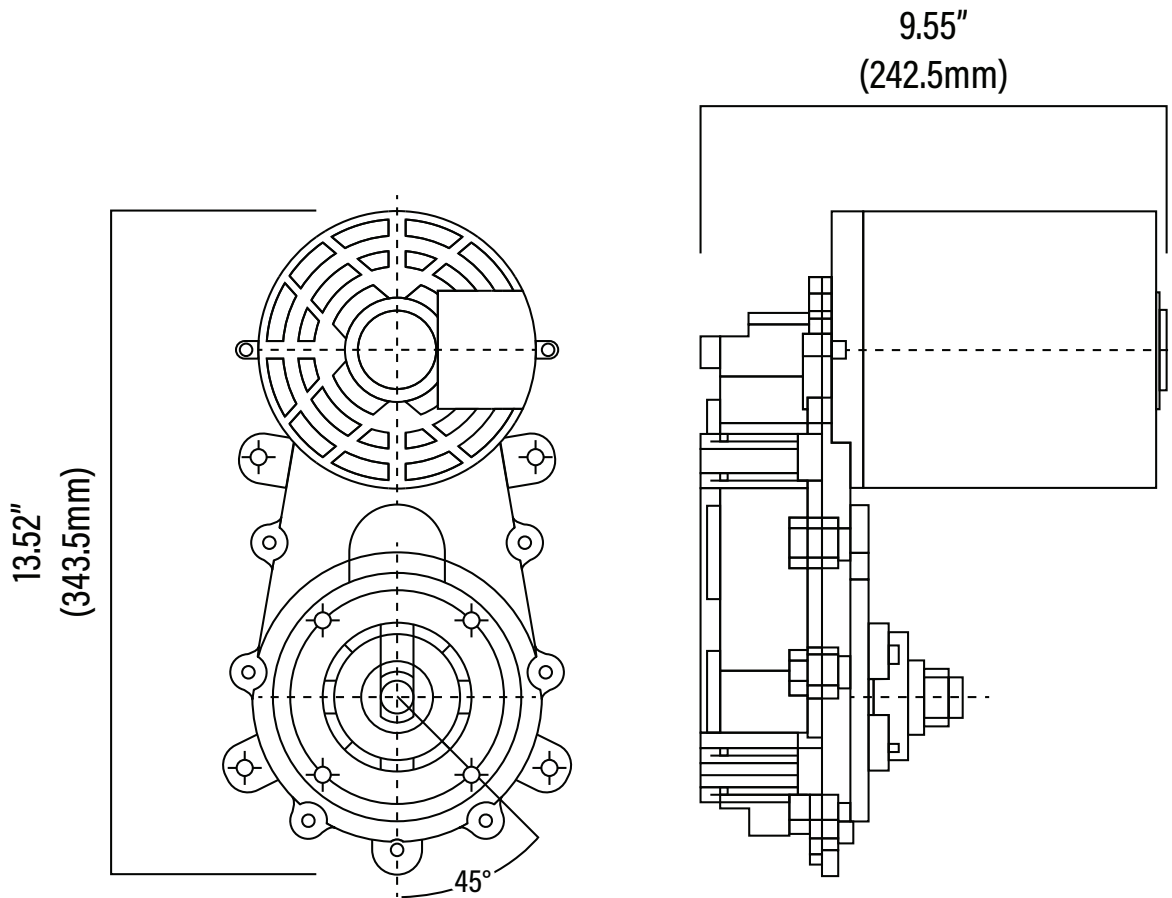
- Conveyors
- Patient Mobility Equipment

1/4 HP Offset Gear Motor

Motor Specifications

Parameter	Performance Range	
Power	1/4 HP (186.5 W)	
Output Torque	310 In-lbs (35 N.m)	2,655 in-lbs (300 N.m)
Output Speed	75 RPM	8 RPM
Voltage	120 (VAC)	
Amperage	~5.2A	

Motor Dimensions



Design. Sourcing. Quality. Logistics. Support.

www.powerelectric.com

763-383-6936 | info@powerelectric.com

Corporate Headquarters: 15300 25th Ave. N, Plymouth, MN 55447