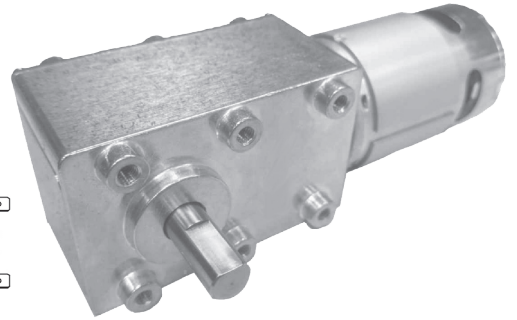
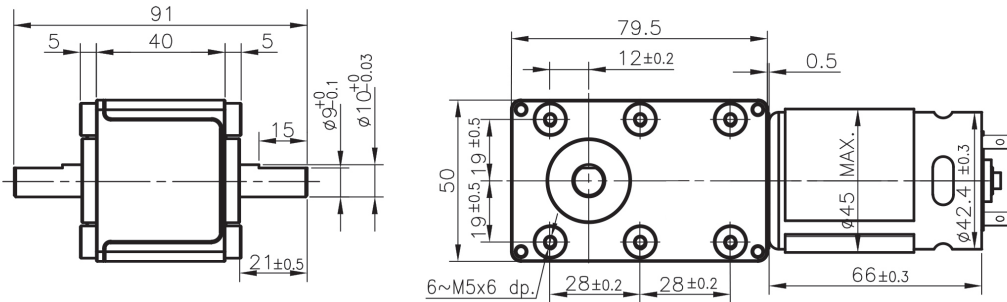


## DC Right Angle Gear Motor Series

Power Electric DC Geared Motors used in many applications



Motor Performance Data							
Voltage (v)	Rated Torque (g-cm)	Rated Speed (rpm)	Rated Current (mA)	No Load Speed (rpm)	No Load Current (mA)	Rated Output (w)	Weight (g)
12	700	5700	≤ 5500	7000	≤ 900	41.3	360
24	570	5900	≤ 2100	7000	≤ 500	34.7	360

Reduction Ratio		1/50	1/75	1/100	1/120	1/200	1/350	1/600	1/700	1/1050
12V	Rated Torque (Kg-cm)	12.4	18.7	25	30	45	45	45	45	45
	Rated Speed (rpm)	102	68.4	51.3	42.7	25.6	14.6	8.5	7.3	4.8
24V	Rated Torque (Kg-cm)	10.1	15.2	20.3	24.4	40.7	45	45	45	45
	Rated Speed (rpm)	106	70.8	53.1	44.2	26.5	15.1	8.8	7.5	5

### Characteristic Curves

