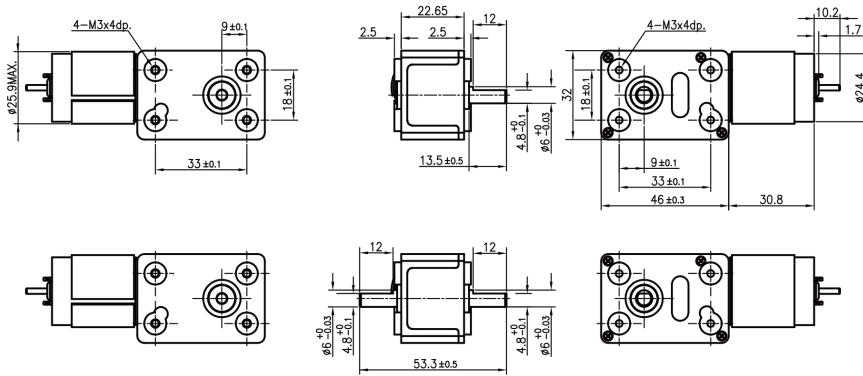


## DC Right Angle Gear Motor Series

Power Electric DC Geared Motors used in many applications



Motor Performance Data							
Voltage (v)	Rated Torque (g-cm)	Rated Speed (rpm)	Rated Current (mA)	No Load Speed (rpm)	No Load Current (mA)	Rated Output (w)	Weight (g)
12	55.3	4710	≤ 240	4990	≤ 60	2.37	60
24	55.3	4710	≤ 140	4990	≤ 30	2.37	60

	Reduction Ratio	1/75	1/100	1/200	1/300	1/500	1/700	1/900	1/1012
12V	Rated Torque (Kg-cm)	1.4	1.9	3.8	5.5	6.0	6.0	6.0	6.0
	Rated Speed (rpm)	55.5	42	20.5	14	8.8	6.5	5.1	4.6
24V	Rated Torque (Kg-cm)	1.4	1.9	3.8	5.5	6.0	6.0	6.0	6.0
	Rated Speed (rpm)	55.5	42	20.5	14	8.8	6.5	5.1	4.6

### Characteristic Curves

