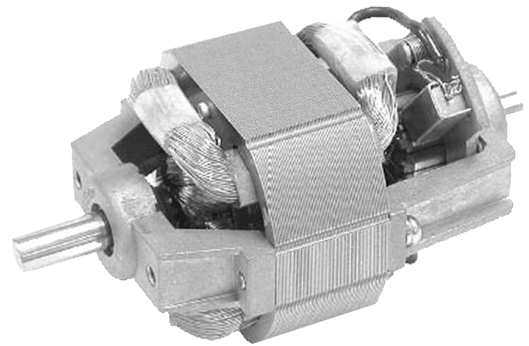
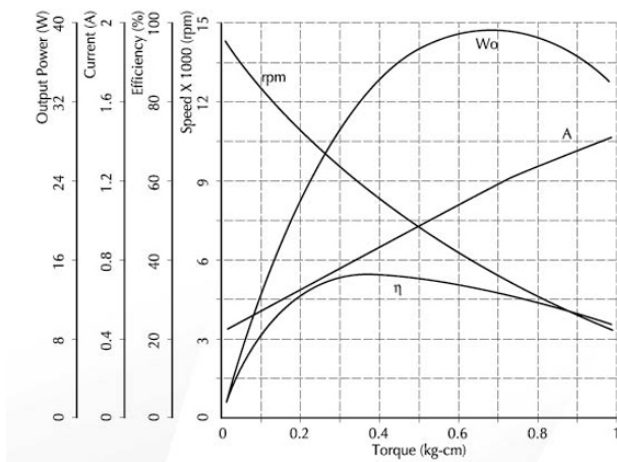


Universal Motor AC Motor

Power Electric AC motor used in cappuccino machines, juice squeezers, coffee grinders and more.

Characteristic Curves



Performance Data

Model	Dim A	Dim B	Dim C	Rated Torque kg-cm	Rated Input Power w
15	15	69.4	8	0.25 - 0.55	70 - 150
20	20	74.4	8	0.3 - 0.8	80 - 200
25	25	79.4	8	0.5 - 1.3	100 - 300
30	30	84.4	8	0.55 - 1.5	125 - 350
35	35	89.4	8	0.6 - 2	125 - 400
40	40	94.4	8	0.8 - 2.5	150 - 500

