

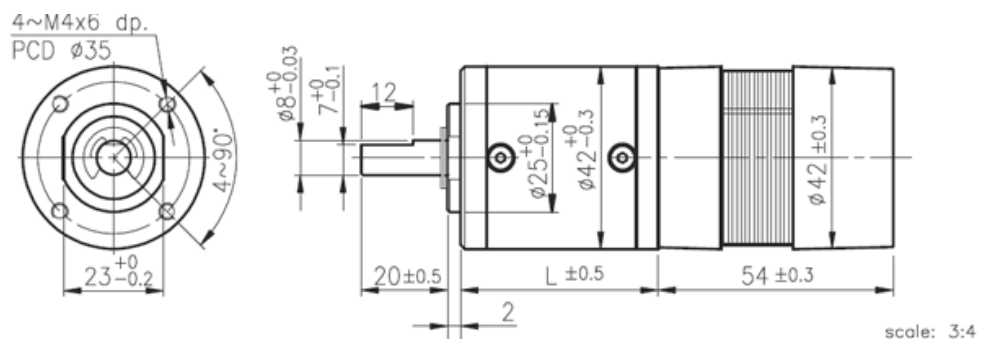
## Adjustable Bed Manufacturer Relies on Power Electric to Handle Customs and Logistics

Power Electric provides cost-effective and globally-sourced gear motor solutions for electric adjustable beds. Motorized adjustable beds provide ease-of-use for caregivers in hospital and at home by automatically adjusting for comfort, medical treatments and support.



This customer manufactured beds with built-in massage arms. Per recommendations based on application requirements, we used a DC gear motor to operate the lifting and massaging features of the bed.

The customer chose Power Electric for our strong logistics expertise to get the gear motors from China to their factory on US soil. Managing the customer's experience to ensure a positive transaction start to finish is first priority for our team. We assign a project manager to handle all aspect of the project: incoming quality control, audits, forecasting, on-time delivery and inventory.



Power Electric works with companies throughout the US, assisting with motor and gear motor solutions for their adjustable bed and hospital bed manufacturing projects. Connect with our in-house engineering experts for custom electric gear motors or find support choosing the right product for your application by calling 763-383-6936.