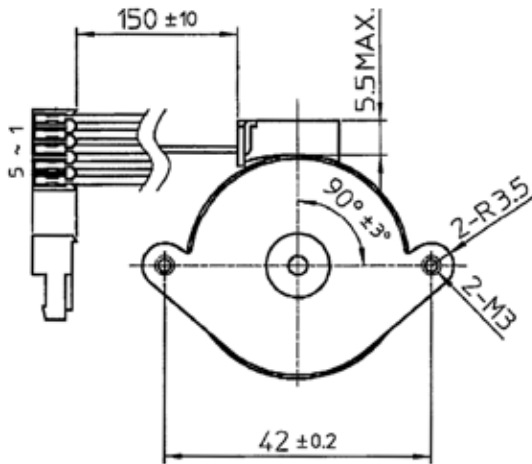


24v Permanent Magnet Gear Motor

Power Electric PM Gear Motor used in medical equipment applications, coin sorters, bill sorters, XY tables, printers, scanners, fax machines and more.



Performance Data	
Rated voltage [V]	24V
Current [mA]	400 mA
Step Angle	3.75
No Load Response	1300 pps MIN
Winding Resistance	20x
Insulation Class	Class E
Rotor Inertia	7.75 g*cm
Life	3000 h. MIN