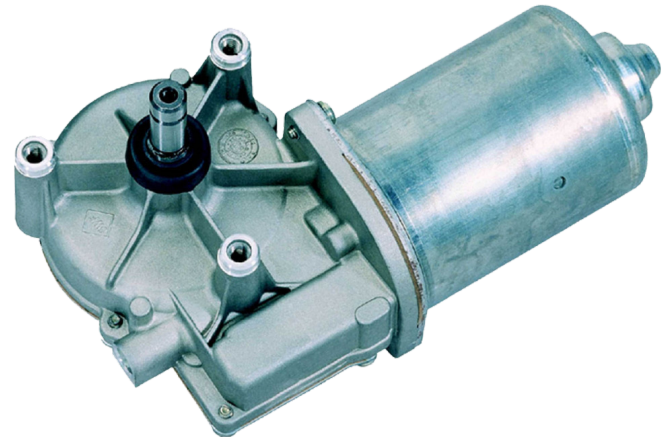
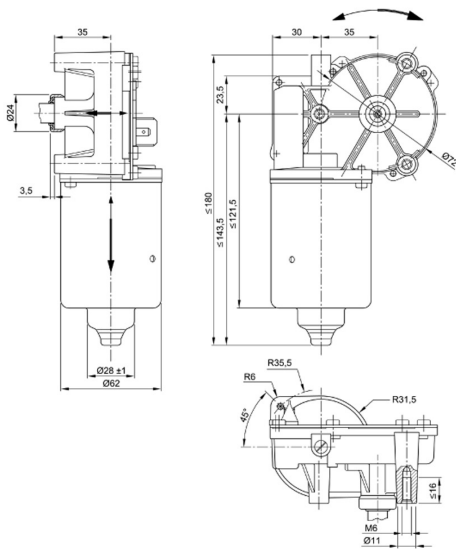
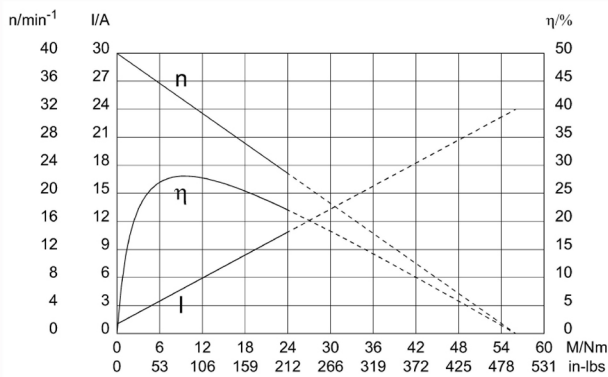


24v Worm Gear Motor 403939

Power Electric 5.00 torque used in medical equipment applications and more



Characteristic Curves



Performance Data

Rated voltage [V]	U_n	24
Nominal torque [Nm]	M_N	45.00
No-load speed [min^{-1}]	n_o	40.0
Nominal power [W]	P_N	16.8
Nominal current [A]	I_N	3.0
Nominal force [kN]	F_N	0.00
Duty cycle		s1

Sensor Data

Pulses	0
Output channels	0

Other Data

Gear ratio	78/1
Gear wheel material	plastic
Suppression components	
Enclosure class	IP 40
Weight (kg)	1.200