

STANDARD DC GEARED MOTOR

: STANDARD TYPE



Search motor-volume :

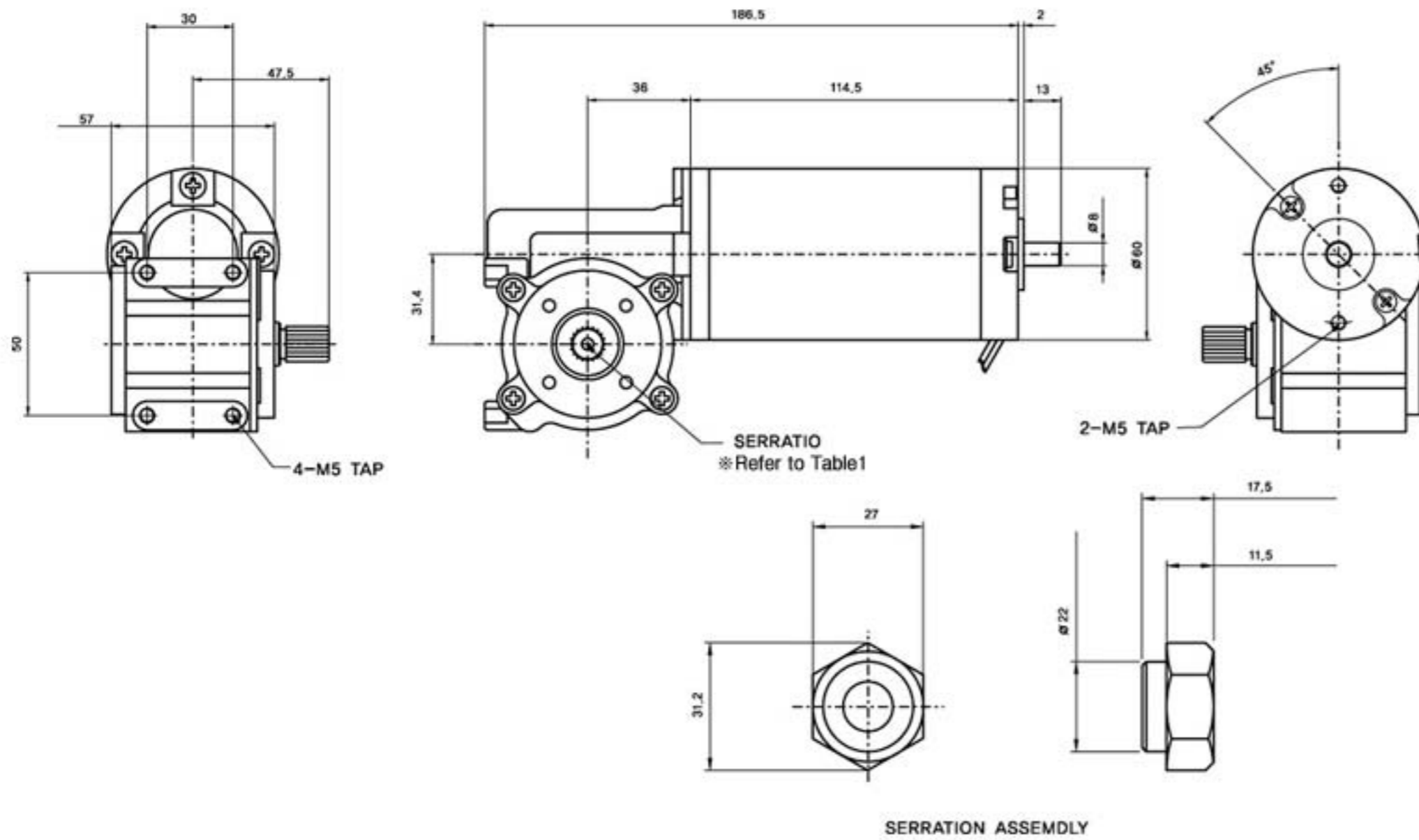
WORM GEARED DC MOTOR

➡ 1. MOTOR DIMENSION

➡ 2. SPEC for serration (Table 1)

➡ 3. MOTOR SPECIFICATION

1. MOTOR DIMENSION



2. SPEC for serration (Table 1)

MODEL	MODULE	TEETH	SIZE
SERRATION	0.5	20 EA	10.5

3. MOTOR SPECIFICATION

Type	Voltage	Output	Rated		At Rated Load			Run Duty	Weight
			Revolution	Current	Revolution	Torque	Current		
	(V)	(W)	(RPM)	(A)	(RPM)	(kg.cm)	(A)	(Hr)	(kg)
S6D60-24S(OB81)□	24	60	3700	MAX.0.7	3200	1.8	3.2	2000	2.2